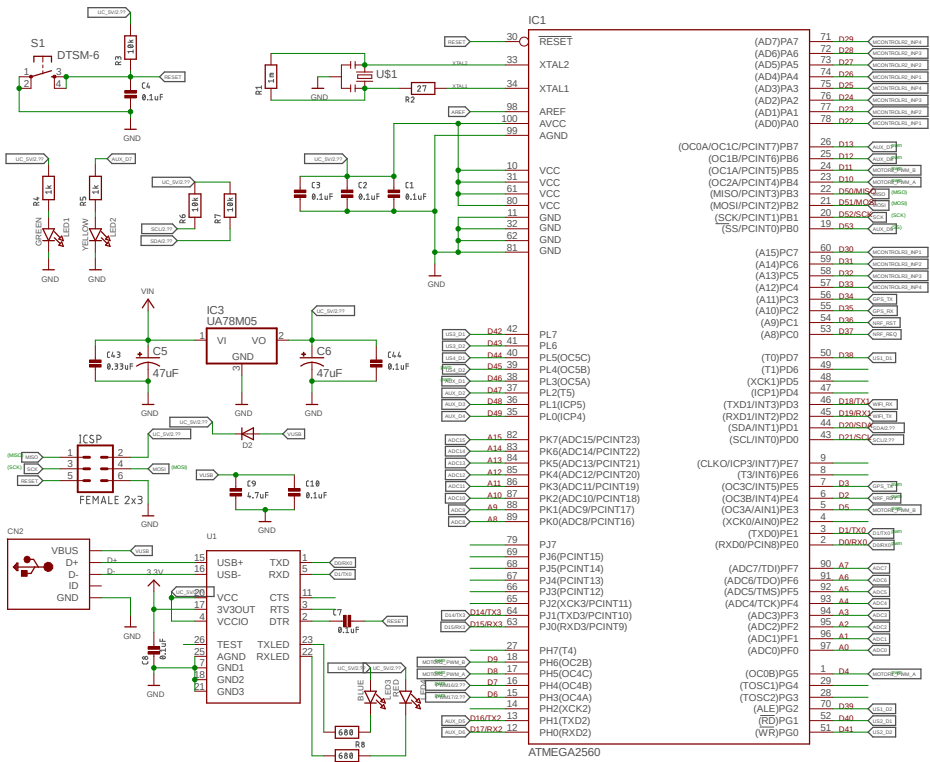
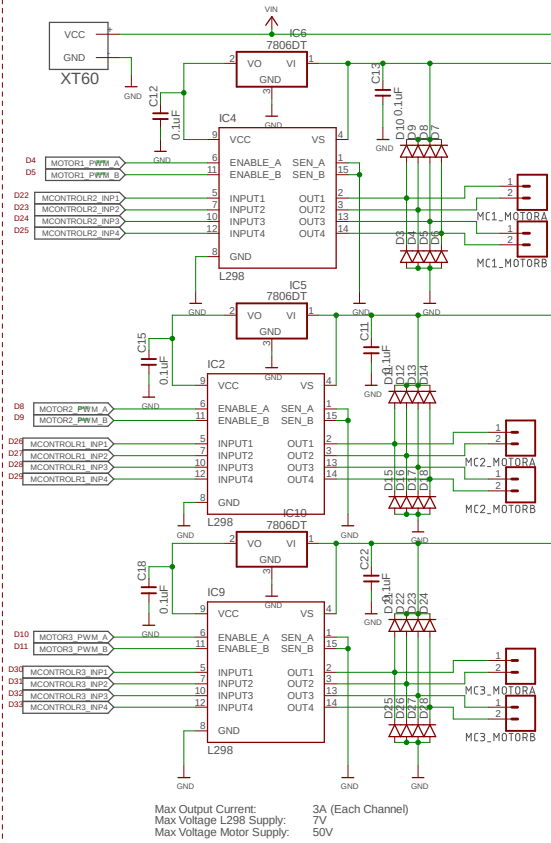


### ATMEGA 2560 Support Hardware

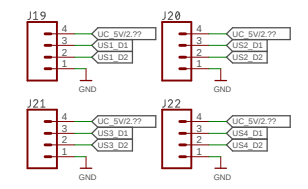


### Brushed DC Motor Control



Max Output Current: 3A (Each Channel)  
 Max Voltage L298 Supply: 7V  
 Max Voltage Motor Supply: 50V

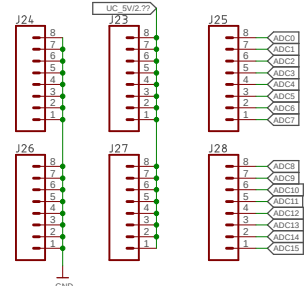
### Ultrasonic Headers



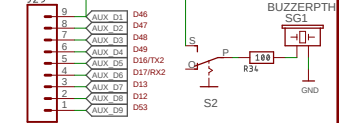
### Pixy Cam Headers

\*Same as ICSP Headers\*

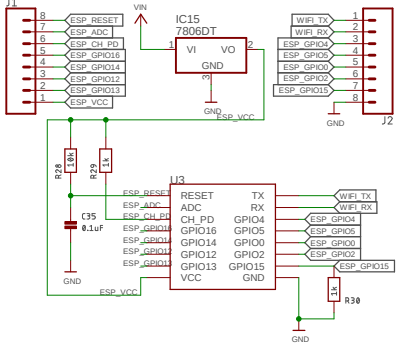
### ADC Headers



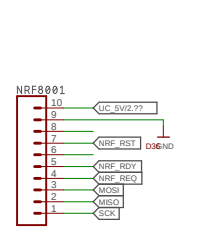
### AUX GPIO



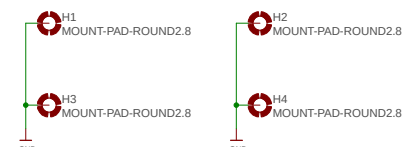
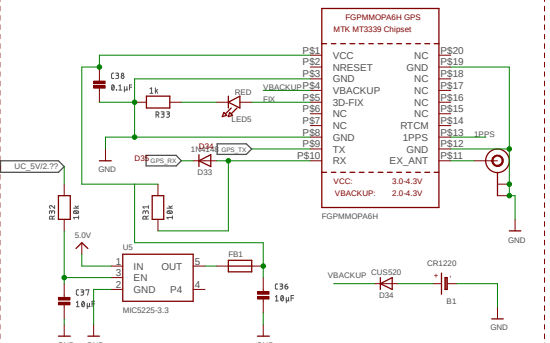
### WiFi Module (ESP-12)



### Bluetooth Module



### GPS & RTC Module



ISSUE	Professional Audio	ALPHARETTA, GA U.S.A.	THIS DRAWING CONTAINS PROPRIETARY INFORMATION AND SHOULD NOT BE USED WITHOUT WRITTEN PERMISSION.	© 2005
DRAWN	TITLE			REV
CHECKED	DATE			DRG N°
DATE	FILE: Emech_DevBoard_v2.0			PAGE: 1/2